

EUROPEAN PATENT OFFICE

Patent Abstracts of Japan

PUBLICATION NUMBER : 09062078
PUBLICATION DATE : 07-03-97

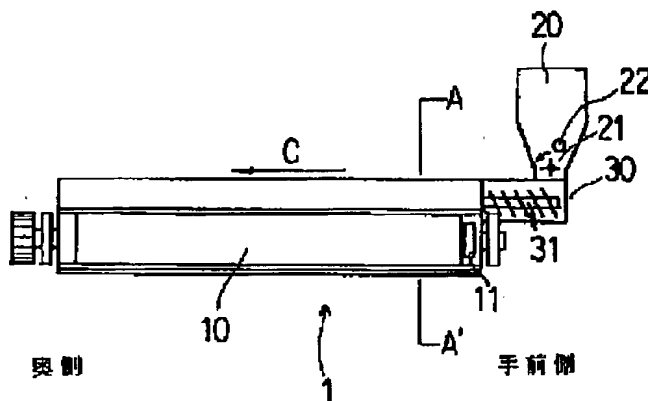
APPLICATION DATE : 25-08-95
APPLICATION NUMBER : 07238997

APPLICANT : CANON INC;

INVENTOR : HAYASHI NOBUHIRO;

INT.CL. : G03G 15/08 G03G 15/08 G03G 15/08
G03G 21/00

TITLE : DEVELOPING DEVICE AND IMAGE
FORMING DEVICE



ABSTRACT : PROBLEM TO BE SOLVED: To provide a developing device and an image forming device by which abnormality on developer supply is prevented from being erroneously detected even in the case an image having high image ratio is formed on a condition that a warning is given as the remaining amount of the developer inside a developer supplying container is reduced.

SOLUTION: A toner sensor 22 judges whether the toner remaining amount inside a hopper 20 is equal to or less than a specified amount, abnormal detecting time (t) is set to one minute in the case the sensor 22 judges that remaining amount is enough, and developing operation and abnormal detecting operation are performed can the condition. When the toner remaining amount inside the hopper 20 is equal to or less than the specified amount, the number of remaining copies is checked, and copying is inhibited in the case the number of copies reaches 500, and the abnormal detecting time (t) is set to 5 minutes in the case copying can be still performed.

COPYRIGHT: (C)1997,JPO